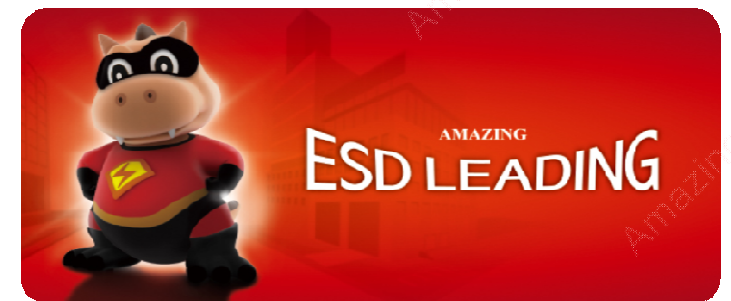


晶焱科技股份有限公司
Amazing Microelectronic Corp.

ESD Leading Provider



Snapshot of Amazing Microelectronic Corp.

www.amazingIC.com

🌀 **Establish** : Since 2006 , base in Taiwan, listed on TSE : 6411

🌀 **Revenue** : ~ \$110M in 2020

🌀 **Major Product** :

- ESD – Tiny Package, Low Cj , Low Clamping Voltage
- EMI + ESD – Combination solution for high-speed data transmission
- Interface IC – Transceiver (RS232 / RS485 / CAN BUS) + ESD , robust and reliable

🌀 **Human Resource Distribution** : R&D 47%, Tech-oriented company

🌀 **Certification** : ISO9001, ISO14001, OHSAS18001, AEC-Q101, IECQ

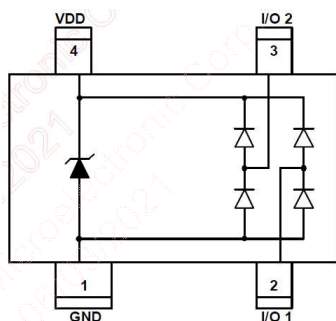


© 2021 Amazing Microelectronic Corp. All rights reserved.

Amazing Multi-purpose ESD Solution – AZ1015-02N

www.amazingIC.com

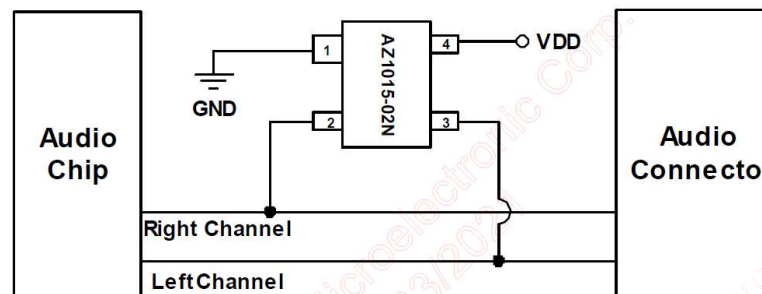
AZ1015-02N



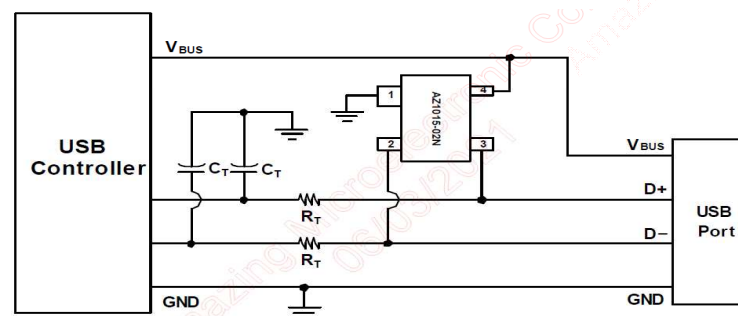
SOT-143

Applications

- USB2.0
- SIM Port
- Audio Interface
- Monitor and Flat Panel Display





Schematic for Audio Chip



Schematic for USB2.0

Drop Replacement with better Spec for protection

Supplier	MPN	V_{RWM}	ESD Level (Air / Contact)	Input Capacitance	Surge clamping Voltage	Package
Amazing	AZ1015-02N	5V	24kV / 16kV 	2 pF	8V @5A 	Pin to Pin Solution in SOT-143
On Semi	CM1293A-02SR	5.5V	NA / 8kV	2 pF	9.9V@1A	
Semtech	SR05	5V	15kV / 8kV	6 pF	9.8V@1A	

■ Excellent Performance

- ✓ Low Clamping Voltage for Good ESD/EOS Protection
- ✓ Low Capacitance to Keep Signal Integrity
- ✓ Integration Techniques to Save Cost

■ Many Solutions

- ✓ Over 400 Products in kinds of Package
- ✓ Complete TVS Solutions for Many Field Applications

■ Nice Production Quality

- ✓ Specified Production to Provide the Best Quality

■ Benefit of TVS Array

- ✓ Low Cost; Taking up Less PCB Space; Better ESD Performance



Amazing
Focus