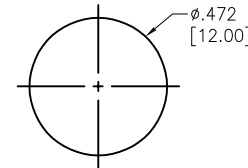
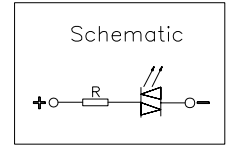
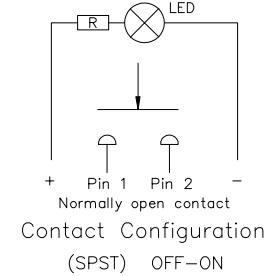
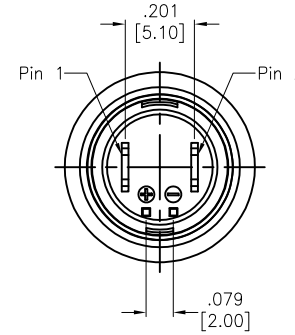
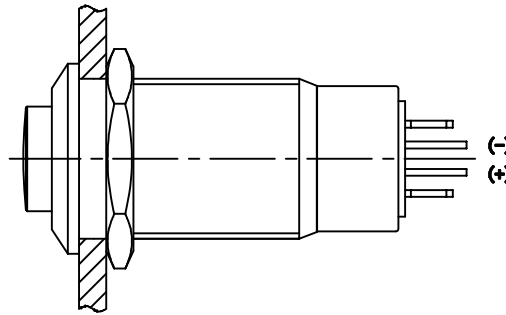
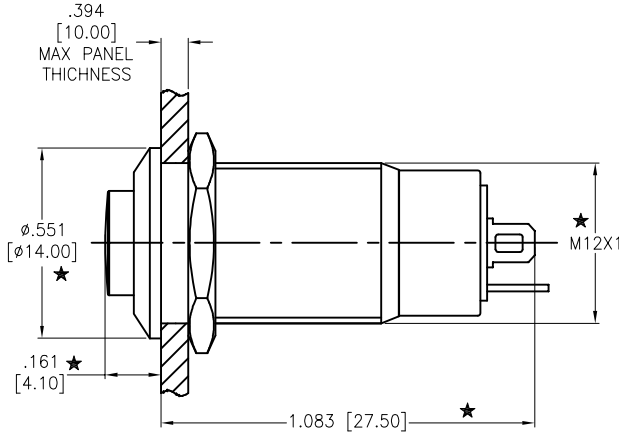
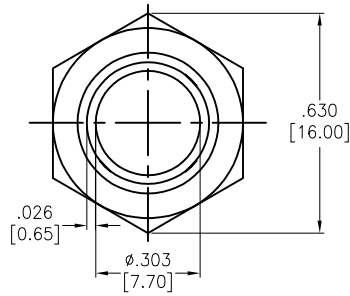


APPROVED: _____

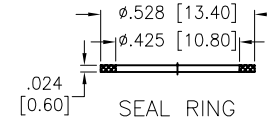
DATE: _____ TITLE: _____

Rev	AWO #	Description	Date	Appr
-		RELEASED	11/2/21	
A		UPDATED DRAWING	8/26/22	JJ/AC1
B		UPDATE DRAWING	6/24/25	WY/TW

This shaded part is illuminated



PANEL CUTOUT



SEAL RING

SW-PB7-07LB42CRRXXXXX

SPECIFICATIONS:

Material:
 Base: PA, Rated UL94V-0
 Bushing: Stainless Steel, Varnish polished
 Button: Stainless Steel, Varnish polished
 Contact Material: Silver Alloy,
 Terminal: Silver plated, Red copper. (2.8x0.5mm)
 Hardware: Nutx1, Seal Ringx1
 Electrical:
 Contact resistance: 50 mΩ max.
 Insulation resistance: 100M ohms min. @500V DC
 Dielectric withstanding voltage: 1500V RMS, 50Hz.
 Electrical Life: 50,000 cycles min at full load.
 Mechanical:
 Mechanical Life: 200,000 cycles min
 Operating Force: 3.5N
 Operating Travel: 2.5mm
 Nut Torque: 0.6Nm max.
 Temperature Rating:
 Operating temperature: -25°C to +55°C
 Environmental:
 IP40 Front Panel Protection
 Lead free, RoHS compliant



Rated insulation voltage (Ui)		AC250V				
Thermal current (Ith)		3A				
Rated voltage		12V	24V	36V	110V	220V
Rated current	AC 50/60Hz	Resistive load	---	---	---	1A 1A
		Inductive load	---	---	---	0.5A 0.5A
DC		Resistive load	1A	1A	1A	---
		Inductive load	---	---	---	---

LED Ring Color		LED Voltage		External Resistor Value
R	Red	6V	6V AC/DC (External resistor)	1W, 270Ω ± 5%.
G	Green	12V	12V AC/DC (External resistor)	1W, 820Ω ± 5%.
Y	Yellow	24V	24V AC/DC (External resistor)	1W, 2.7KΩ ± 5%.
O	Orange	36V	36V AC/DC (External resistor)	1W, 5.6KΩ ± 5%.
B	Blue	220V	220V AC (External resistor)	2W, 82KΩ ± 5%.
W	White			

UNLESS OTHERWISE SPECIFIED ALL DIMENSIONS ARE INCHES [MM]. TOLERANCES: EXCEPT AS NOTED

INCHES		HOLES	
.x	± .10	∅x	±.10
.xx	± .020	∅xx	±.015
.xxx	± .015	∅xxx	±.010

DRAWN	WX	11/2/21
CHECKED	RC	11/2/21
APPROVED		

THIS DRAWING CONTAINS INFORMATION THAT IS PROPRIETARY AND SHOULD NOT BE USED WITHOUT PRIOR WRITTEN PERMISSION FROM ADAM TECH

ADAM TECH

909 Rahway Avenue,
 Union, NJ 07083
 Phone: 908-687-5000
 Fax: 908-687-5710

TITLE SWITCH, ANTI-VANDAL, PUSH BUTTON, SPST, 12mm, LIGHTED RING, OFF-ON, LATCHING		
SIZE X	PART NO. SW-PB7-07LB42CRRXXXXX	REV. B
REF: S00198T	SCALE: NTS	SHEET 1 OF 1