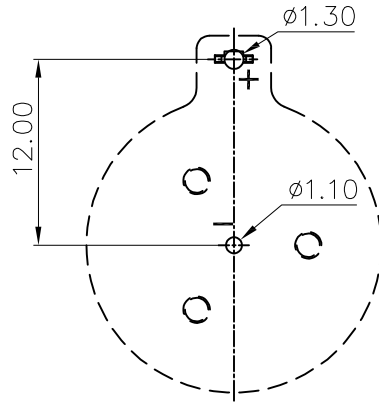


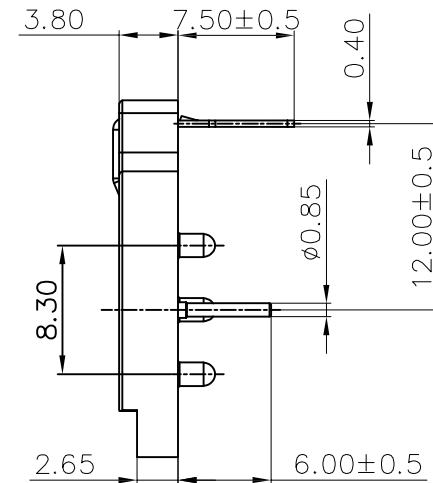
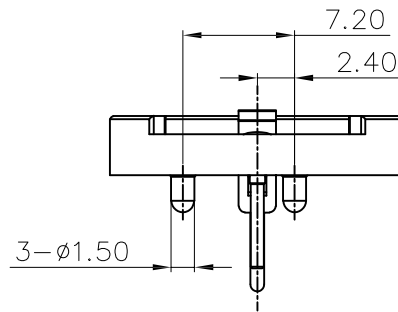
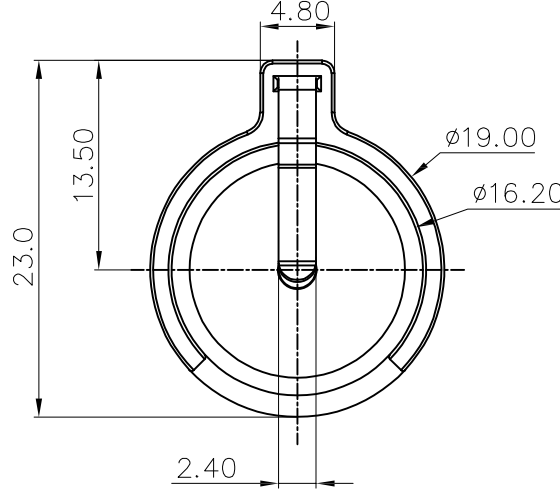
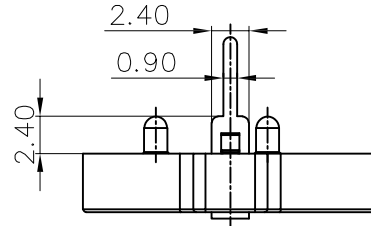
APPROVED: _____

DATE: _____ TITLE: _____

Rev	AWO #	Description	Date	Appr
-		RELEASED	12/1/17	
A		UPDATE DRAWING	11/18/20	LH/JL
B		UPDATE DRAWING	11/1/22	LH/RZ
C		PACKAGING WAS TRAY	10/28/25	LW1/MC



RECOMMENDED PCB LAYOUT



NOTE: PACKAGED IN POLY BAG

SPECIFICATIONS:

Material:

Housing: PBT, rated UL94V-0

Housing Color: Black

Terminal+: Mn Steel, Tin Plated

Terminal-: Brass Bar, Silver Plated

Electrical:

Contact resistance: 50 Milliohms max

Insulation resistance: 100 Mega ohms min

Dielectric Voltage: 500 VAC one sec level

Temperature Rating:

Operating temperature: -25°C to +85°C.

Environmental:

Lead free, RoHS compliant.



UNLESS OTHERWISE SPECIFIED ALL DIMENSIONS ARE MILLIMETERS. TOLERANCES: EXCEPT AS NOTED

DRAWN	AY	12/1/17
CHECKED	KC	12/1/17
APPROVED		

CONFIDENTIAL AND PROPRIETARY
 © Adam Tech. All rights reserved. This document contains confidential and proprietary information belonging to Adam Tech. It is provided solely for design and reference purposes by authorized parties. Any reproduction, distribution, display, or disclosure to third parties, in whole or in part, without the prior written consent of Adam Tech, is strictly prohibited. Adam Tech retains all rights, including copyright, trademark, trade secret, and all other intellectual property rights worldwide.



909 Rahway Avenue,
 Union, NJ 07083
 Phone: 908-687-5000
 adam-tech.com

TITLE		REV.
COIN CELL BATTERY HOLDER FOR CELL CR1620, DIP TYPE		C
SIZE	PART NO.	
X	BH-94A-1	
REF:	S00136C	SCALE: NTS SHEET 1 OF 1