

### DESCRIPTION

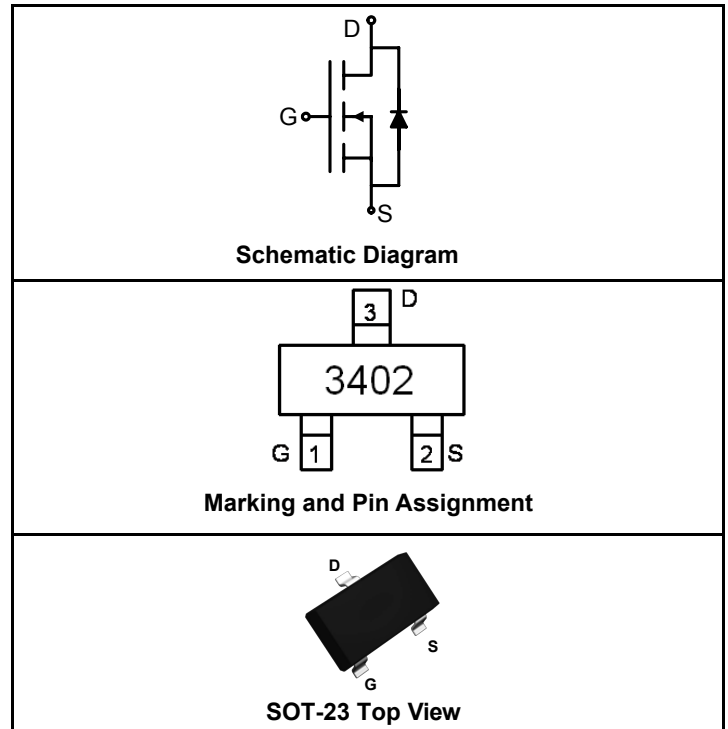
The SSF3402 uses advanced trench technology to provide excellent  $R_{DS(ON)}$ , low gate charge and operation with gate voltages as low as 2.5V.

### FEATURES

- $V_{DS} = 30V, I_D = 5A$   
 $R_{DS(ON)} < 30m\Omega @ V_{GS}=10V$   
 $R_{DS(ON)} < 48m\Omega @ V_{GS}=4.5V$
- High Power and Current Handling Capability
- Lead Free
- Surface Mount Package

### APPLICATIONS

- Battery Protection
- Load Switch
- Power Management



### PACKAGE MARKING AND ORDERING INFORMATION

Device Marking	Device	Device Package	Reel Size	Tape width	Quantity
3402	SSF3402	SOT-23	Ø180mm	8 mm	3000 units

### ABSOLUTE MAXIMUM RATINGS ( $T_A=25^\circ\text{C}$ unless otherwise noted)

Parameter	Symbol	Limit	Unit
Drain-Source Voltage	$V_{DS}$	30	V
Gate-Source Voltage	$V_{GS}$	$\pm 20$	V
Drain Current-Continuous@ Current-Pulsed (Note 1)	$I_D$	5	A
	$I_{DM}$	20	A
Maximum Power Dissipation	$P_D$	1.38	W
Operating Junction and Storage Temperature Range	$T_J, T_{STG}$	-55 To 150	$^\circ\text{C}$

### THERMAL CHARACTERISTICS

Thermal Resistance, Junction-to-Ambient (Note 2)	$R_{\theta JA}$	90	$^\circ\text{C/W}$
--	-----------------	----	--------------------

### ELECTRICAL CHARACTERISTICS ( $T_A=25^\circ\text{C}$ unless otherwise noted)

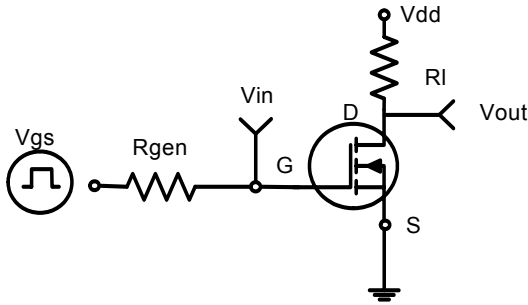
Parameter	Symbol	Condition	Min	Typ	Max	Unit
<b>OFF CHARACTERISTICS</b>						
Drain-Source Breakdown Voltage	$BV_{DSS}$	$V_{GS}=0V, I_D=250\mu A$	30			V
Zero Gate Voltage Drain Current	$I_{DSS}$	$V_{DS}=30V, V_{GS}=0V$			1	$\mu A$
Gate-Body Leakage Current	$I_{GSS}$	$V_{GS}=\pm 20V, V_{DS}=0V$			$\pm 100$	nA

<b>ON CHARACTERISTICS (Note 3)</b>						
Gate Threshold Voltage	$V_{GS(th)}$	$V_{DS}=V_{GS}, I_D=250\mu A$	1	1.5	2.5	V
Drain-Source On-State Resistance	$R_{DS(ON)}$	$V_{GS}=4.5V, I_D=4A$		45	48	m $\Omega$
		$V_{GS}=10V, I_D=5A$		26	30	m $\Omega$
Forward Transconductance	$g_{FS}$	$V_{DS}=5V, I_D=5A$		13		S
<b>DYNAMIC CHARACTERISTICS (Note4)</b>						
Input Capacitance	$C_{iss}$	$V_{DS}=25V, V_{GS}=0V,$ $F=1.0MHz$		660	1050	PF
Output Capacitance	$C_{oss}$			90		PF
Reverse Transfer Capacitance	$C_{rss}$			70		PF
<b>SWITCHING CHARACTERISTICS (Note 4)</b>						
Turn-on Delay Time	$t_{d(on)}$	$V_{DS}=15V, I_D=5A$ $V_{GS}=10V, R_{GEN}=3.3\Omega$ $R_D=3\Omega$		6		nS
Turn-on Rise Time	$t_r$			20		nS
Turn-Off Delay Time	$t_{d(off)}$			20		nS
Turn-Off Fall Time	$t_f$			3		nS
Total Gate Charge	$Q_g$	$V_{DS}=16V, I_D=5A, V_{GS}=4.5V$		8.5	15	nC
Gate-Source Charge	$Q_{gs}$			1.5		nC
Gate-Drain Charge	$Q_{gd}$			3.2		nC
<b>DRAIN-SOURCE DIODE CHARACTERISTICS</b>						
Diode Forward Voltage (Note 3)	$V_{SD}$	$V_{GS}=0V, I_S=1.2A$			1.2	V

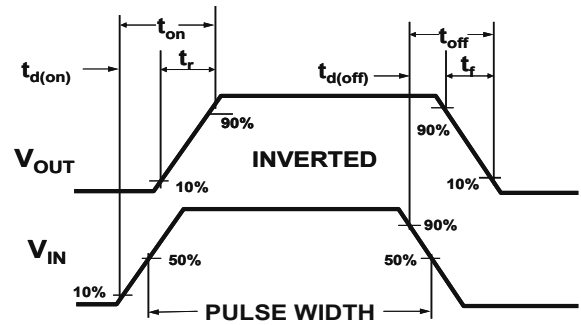
**NOTES:**

1. Repetitive Rating: Pulse width limited by maximum junction temperature.
2. Surface Mounted on FR4 Board,  $t \leq 10$  sec.
3. Pulse Test: Pulse Width  $\leq 300\mu s$ , Duty Cycle  $\leq 2\%$ .
4. Guaranteed by design, not subject to production testing.

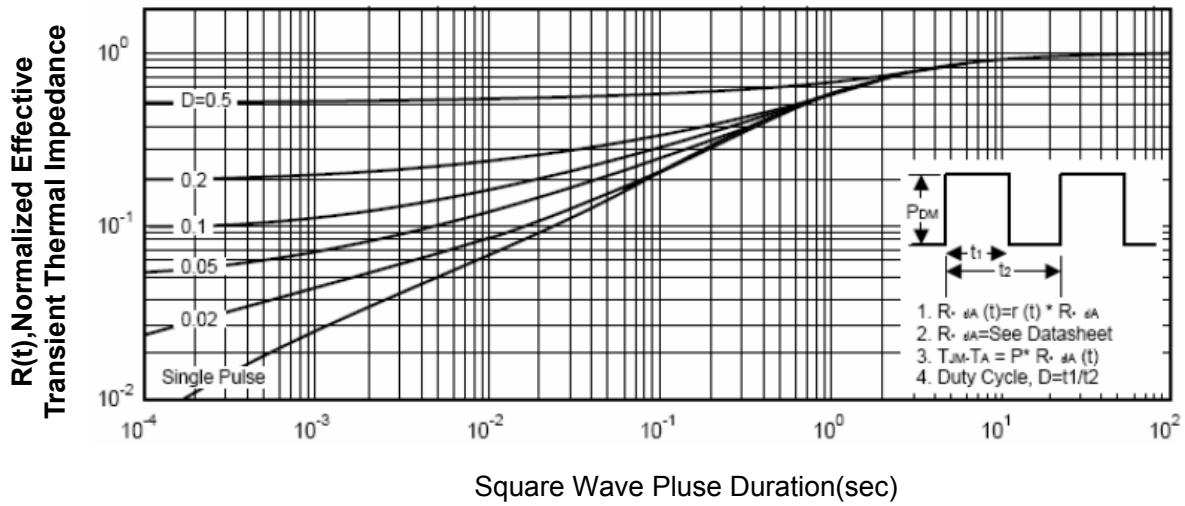
**TYPICAL ELECTRICAL AND THERMAL CHARACTERISTICS**



**Figure 1. Switching Test Circuit**



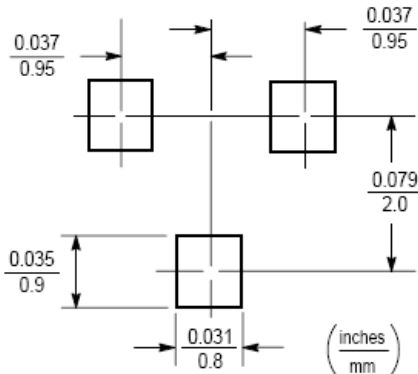
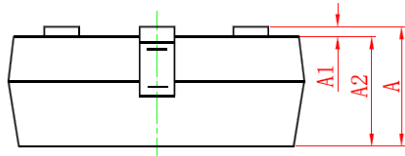
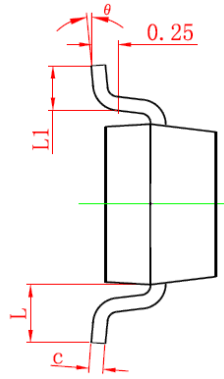
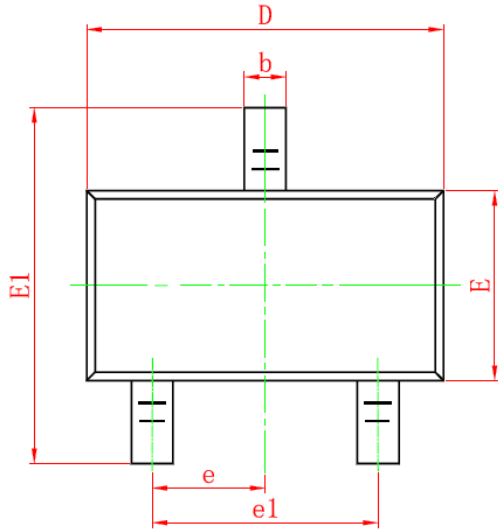
**Figure 2. Switching Waveforms**



**Figure 3. Normalized Maximum Transient Thermal Impedance**

**SOT-23 PACKAGE INFORMATION**

Dimensions in Millimeters (UNIT:mm)



Symbol	Dimensions in Millimeters	
	MIN.	MAX.
<b>A</b>	<b>0.900</b>	<b>1.150</b>
<b>A1</b>	<b>0.000</b>	<b>0.100</b>
<b>A2</b>	<b>0.900</b>	<b>1.050</b>
<b>b</b>	<b>0.300</b>	<b>0.500</b>
<b>c</b>	<b>0.080</b>	<b>0.150</b>
<b>D</b>	<b>2.800</b>	<b>3.000</b>
<b>E</b>	<b>1.200</b>	<b>1.400</b>
<b>E1</b>	<b>2.250</b>	<b>2.550</b>
<b>e</b>	<b>0.950TYP</b>	
<b>e1</b>	<b>1.800</b>	<b>2.000</b>
<b>L</b>	<b>0.550REF</b>	
<b>L1</b>	<b>0.300</b>	<b>0.500</b>
<b>θ</b>	<b>0°</b>	<b>8°</b>

**NOTES**

1. All dimensions are in millimeters.
2. Tolerance  $\pm 0.10\text{mm}$  (4 mil) unless otherwise specified.
3. Package body sizes exclude mold flash and gate burrs. Mold flash at the non-lead sides should be less than 5 mils.
4. Dimension L is measured in gauge plane.
5. Controlling dimension is millimeter, converted inch dimensions are not necessarily exact.