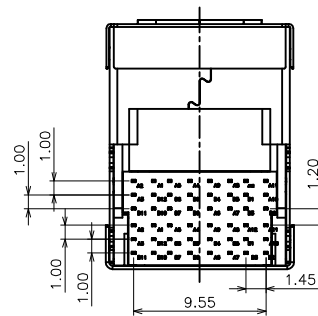
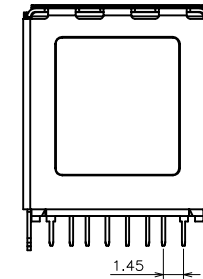
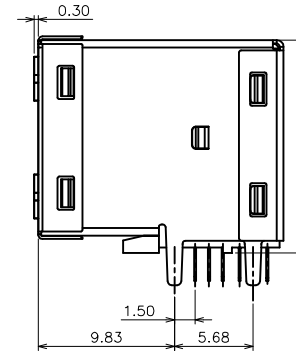
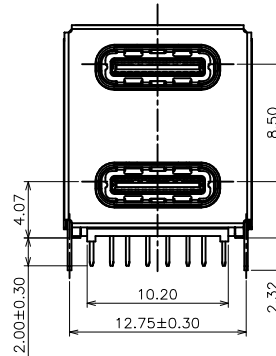
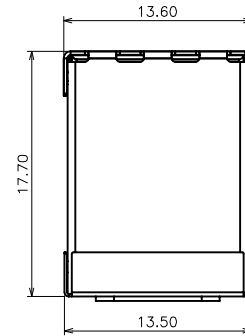
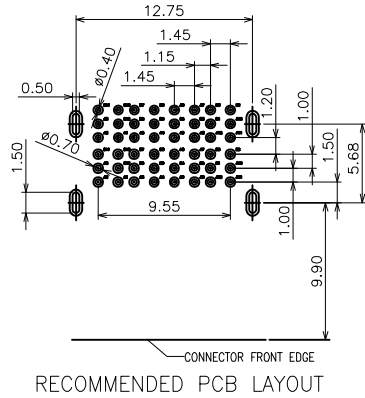


APPROVED: _____

DATE: _____ TITLE: _____

Rev	AWO #	Description	Date	Appr
-		RELEASED	2/24/22	
A		UPDATE SPEC.	3/17/23	WX/NL
B		UPDATE DIM.	9/26/23	LH
C		UPDATE DRAWING	12/8/23	JJ/TW
D		UPDATE PCB LAYOUT	2/26/25	WY/KC
E		UPDATE DRAWING	6/23/25	WY/FH
F		UPDATE TITLE	5/11/26	WY/RC



SPECIFICATIONS:

Material:
 Housing: Hi-Temp Thermoplastic, rated UL 94V-0
 Housing color: Black
 Bottom cover: Hi-Temp Thermoplastic, rated UL 94V-0, Color: Black
 Contacts: Copper Alloy
 Shell: SUS304, Nickel Plated
 Mid Plated: SUS301, Clean
 PCB: FR4
 Plating:
 Gold flash over Nickel underplate on contact area
 Matte Tin over Nickel underplate on solder tails
 Electrical:

Current rating: 5 Amp For Collectively Power Supply (A1, A4, A9, A12, B1, B4, B9, B12)

1.25 Amp For Vconn Pin
 0.25 Amp For Other Signal Pin

Contact resistance: 30 mohms max for Initial
 Insulation resistance: 100 Mohms
 Dielectric withstanding voltage: 100 VAC R.M.S.

Mechanical:
 Insert force: 5-20N
 Extract force: 8-20N
 Durability: 10,000 Cycles

Temperature Rating:
 Operating temperature: -40°C to +85°C

Certifications:
 UL Recognized per file # ECBT2.E224053

Environmental:
 Lead free, REACH & RoHS compliant



USB TYPE-C FULL-FEATURED RECEPTACLE INTERFACE PIN ASSIGNMENTS

PIN	Signal Name	Description	PIN	Signal Name	Description
A1	GND	Ground return	B12	GND	Ground return
A2	SSTXp1	Positive half of first SuperSpeed TX differential pair	B11	SSTXp1	Positive half of first SuperSpeed RX differential pair
A3	SSTXn1	Negative half of first SuperSpeed TX differential pair	B10	SSTXn1	Negative half of first SuperSpeed RX differential pair
A4	VBUS	Bus Power	B9	VBUS	Bus Power
A5	CC1	Configuration Channel	B8	SBU2	Sideband Use (SBU)
A6	Dp1	Positive half of the USB 2.0 differential pair-Position 1	B7	Dn2	Negative half of the USB 2.0 differential pair-Position 2
A7	Dn1	Negative half of the USB 2.0 differential pair-Position 1	B6	Dp2	Positive half of the USB 2.0 differential pair-Position 2
A8	SBU1	Sideband Use(SBU)	B5	CC2	Configuration Channel
A9	VBUS	Bus Power	B4	VBUS	Bus Power
A10	SSRXn2	Negative half of second SuperSpeed RX differential pair	B3	SSRXp2	Positive half of second SuperSpeed TX differential pair
A11	SSRXp2	Positive half of second SuperSpeed RX differential pair	B2	SSRXn2	Negative half of second SuperSpeed TX differential pair
A12	GND	Ground return	B1	GND	Ground return

UNLESS OTHERWISE SPECIFIED ALL DIMENSIONS ARE MILLIMETERS. TOLERANCES: EXCEPT AS NOTED

MM	X	± 0.50
	.X	± 0.30
	.XX	± 0.20
	.XXX	± 0.10

DRAWN	LH	2/24/22
CHECKED	LW	2/24/22
APPROVED		

CONFIDENTIAL AND PROPRIETARY
 © Adam Tech. All rights reserved. This document contains confidential and proprietary information belonging to Adam Tech. It is provided solely for design and reference purposes by authorized parties. Any reproduction, distribution, display, or disclosure to third parties, in whole or in part, without the prior written consent of Adam Tech, is strictly prohibited. Adam Tech retains all rights, including copyright, trademark, trade secret, and all other intellectual property rights worldwide.



909 Rahway Avenue,
 Union, NJ 07083
 Phone: 908-687-5000
 adam-tech.com

TITLE: UNIVERSAL SERIAL BUS, TYPE C, DUAL PORT, FEMALE, RIGHT ANGLE
 TRANSMISSION EFFICIENCY: USB 3.2 Gen 2 (10Gb/s)

SIZE X	PART NO. USB-C31-D-RA-CS2	REV. F
REF: S00165C-1	SCALE: NTS	SHEET 1 OF 1