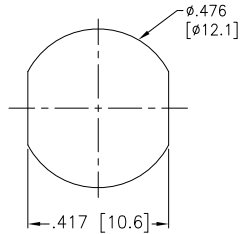
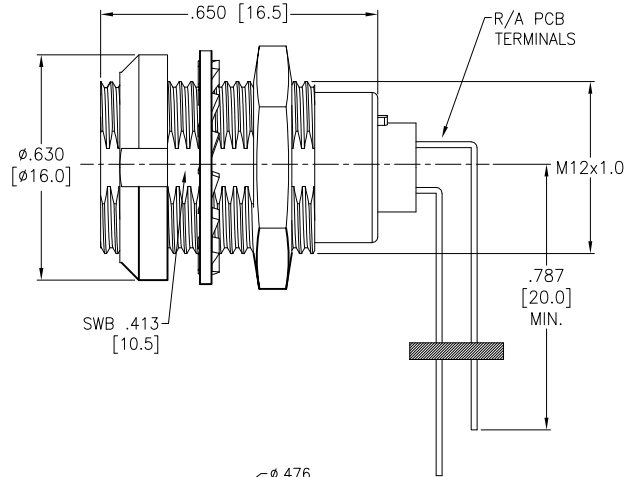
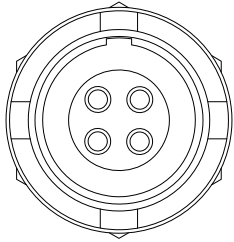


APPROVED: _____

DATE: _____ TITLE: _____

Rev	AWO #	Description	Date	Apr
-		RELEASED	8/16/21	



Panel Cut-Out
(Rear Panel Mounting)

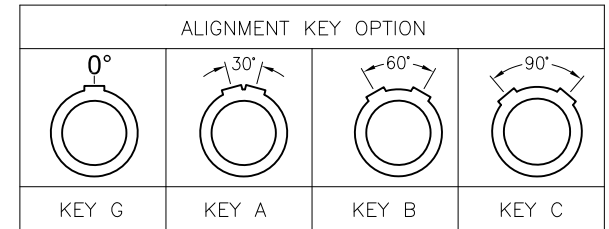
Note: .295 [7.5] Max. Panel Thickness

MMI-M1RSXXXPR

SIZE 1

ALIGNMENT KEY	
G	= 0°
A	= 30°
B	= 60°
C	= 90°

OF POSITIONS
(02, 03, 04, 05, 06, 07, 08, 10, 14 & 16)



SPECIFICATIONS:

Material:

Body: Brass, Natural Chrome Plated
Insulator: PPS, color Beige
Terminal: Brass, Gold Plated

Electrical:

Voltage Rating: See chart
Current Rating: See chart
Dielectric withstanding voltage: See chart
Electrical Life: 1,000 Cycles min.

Mechanical:

Endurance: 5,000 Cycles Min.
Temperature Rating:
Operating temperature: -55°C to +150°C

Environmental:

IP50 Protection (Mated Condition)
Lead free, RoHS compliant



	2 Pin	3 Pin	4 Pin	5 Pin	6 Pin	7 Pin	8 Pin	10 Pin	14 Pin	16 Pin
Configuration										
Diameter of Pin	$\phi 1.3$	$\phi 1.3$	$\phi 0.9$	$\phi 0.9$	$\phi 0.7$	$\phi 0.7$	$\phi 0.7$	$\phi 0.5$	$\phi 0.5$	$\phi 0.5$
Testing Voltage	1300V	1300V	1200V	1200V	1000V	1000V	1000V	800V	800V	800V
Working Voltage	300V	300V	250V	250V	200V	200V	200V	200V	200V	200V
Rated Current / Pin	9A	9A	8A	7A	5A	5A	5A	2A	2A	2A

UNLESS OTHERWISE SPECIFIED
ALL DIMENSIONS ARE INCHES [MM]
TOLERANCES: EXCEPT AS NOTED
INCHES HOLES

.X ± .10 Ø.X ± .10
.XX ± .020 Ø.XX ± .015
.XXX ± .015 Ø.XXX ± .010

APPROVALS		DATE
DRAWN	SS	8/16/21
CHECKED	SS	8/16/21
APPROVED		



909 Rahway Avenue,
Union, NJ 07083
Phone: 908-687-5000
Fax: 908-687-5710

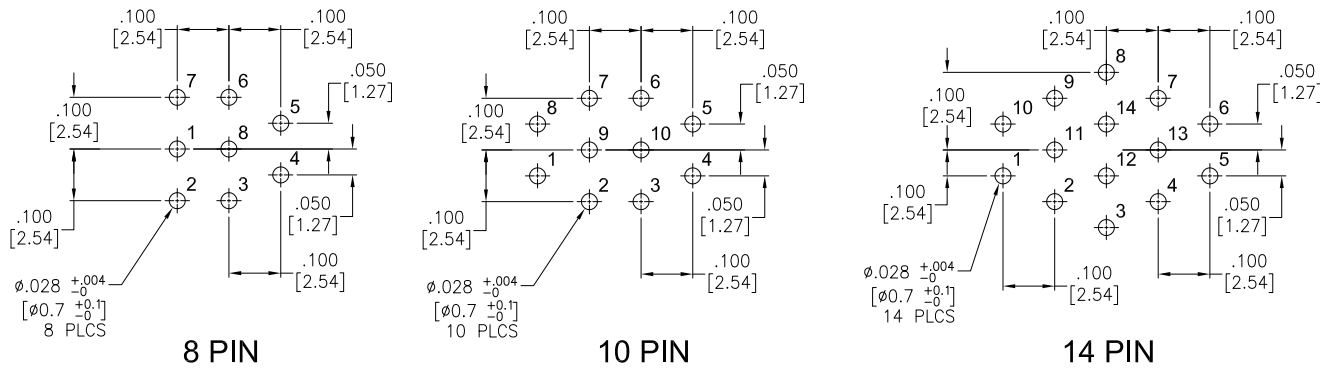
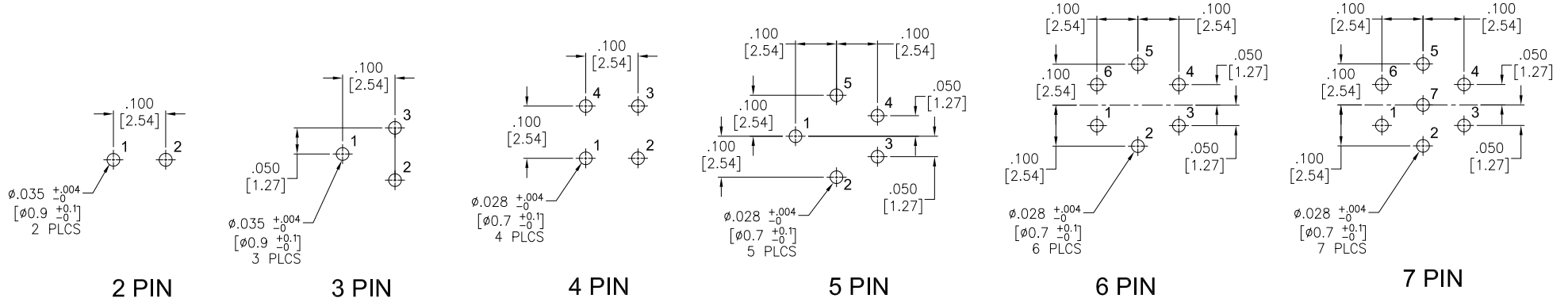
TITLE
PUSH-PULL SOCKET, VERTICAL, SIZE 1, METAL BODY,
REAR PANEL MOUNT, R/A PCB TERMINALS, IP50

SIZE X	PART NO. MMI-M1RSXXXPR	REV. -
REF: SXXXXX	SCALE: NTS	SHEET 1 OF 2

APPROVED: _____

DATE: _____ TITLE: _____

Rev	AWO #	Description	Date	Apr
-		RELEASED	8/16/21	



UNLESS OTHERWISE SPECIFIED
 ALL DIMENSIONS ARE INCHES [MM]
 TOLERANCES: EXCEPT AS NOTED
 INCHES HOLES

.X	$\pm .10$	$\phi.X$	$\pm .10$
.XX	$\pm .020$	$\phi.XX$	$\pm .015$
.XXX	$\pm .015$	$\phi.XXX$	$\pm .010$

APPROVALS		DATE
DRAWN	SS	8/16/21
CHECKED	SS	8/16/21
APPROVED		

ADAM TECH 909 Rahway Avenue,
 Union, NJ 07083
 Phone: 908-687-5000
 Fax: 908-687-5710

TITLE: PUSH-PULL SOCKET, VERTICAL, SIZE 1, METAL BODY, REAR PANEL MOUNT, R/A PCB TERMINALS, IP50

SIZE X	PART NO. MMI-M1RSXXXPR	REV. -
REF: SXXXXX	SCALE: NTS	SHEET 2 OF 2