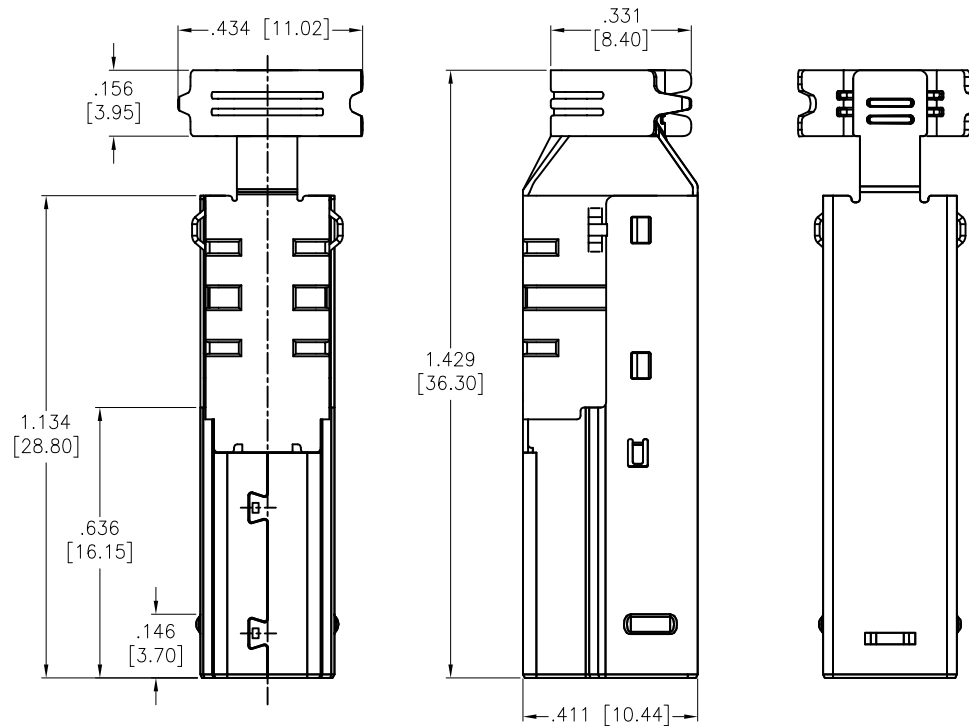


APPROVED: _____

DATE: _____ TITLE: _____

Rev	AWO #	Description	Date	Appr
-		RELEASED	3/31/09	
A		UPDATED DRAWING	8/14/18	AY/MY
B		UPDATE TITLE	5/11/26	LW1/RC



SPECIFICATIONS:

Material:
 Insulator: PBT, rated UL 94V-0
 Insulator color: Blue
 Contacts: Phosphor Bronze
 Shell: SPCC, Nickel plated

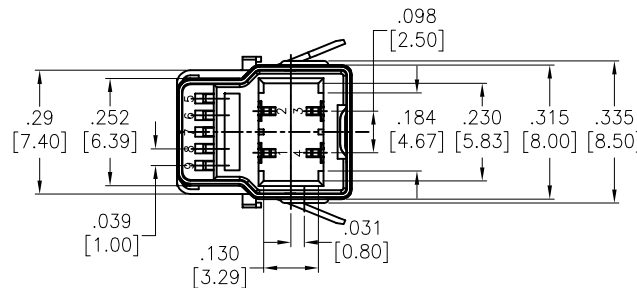
Plating:
 Gold flash over Nickel underplate on contact area,
 Tin over Nickel underplate on Solder tails.

Electrical:
 Voltage rating: 30 V
 Current rating: 1.8 Amp for Pin1 & Pin4
 0.25 Amp for Other contacts
 Contact resistance: 30 mohms max for Pin1& Pin4
 50 mohms max for Other contacts

Insulation resistance: 100 Mohms min
 Dielectric withstanding voltage: 100 VAC (RMS)

Temperature Rating:
 -20°C to +85°C

Environmental:
 Lead free, RoHS compliant.



UNLESS OTHERWISE SPECIFIED ALL DIMENSIONS
 ARE INCHES [MM]. TOLERANCES: EXCEPT AS NOTED

.X	± .10	∅X	± .10
INCHES .XX	± .020	HOLES ∅XX	± .015
.XXX	± .015	∅XXX	± .010

DRAWN	DY	3/31/09
CHECKED		
APPROVED		

CONFIDENTIAL AND PROPRIETARY
 © Adam Tech. All rights reserved. This document contains confidential and proprietary information belonging to Adam Tech. It is provided solely for design and reference purposes by authorized parties. Any reproduction, distribution, display, or disclosure to third parties, in whole or in part, without the prior written consent of Adam Tech, is strictly prohibited. Adam Tech retains all rights, including copyright, trademark, trade secret, and all other intellectual property rights worldwide.



909 Rahway Avenue,
 Union, NJ 07083
 Phone: 908-687-5000
 adam-tech.com

TITLE
USB 3.0 STANDARD B PLUG, SOLDER TYPE
TRANSMISSION EFFICIENCY: 3.2 Gen 1 (5Gb/s)

SIZE X	PART NO. USB-BP3-S	REV. -
REF: S00005C	SCALE: NTS	SHEET 1 OF 1