

6

5

4

3

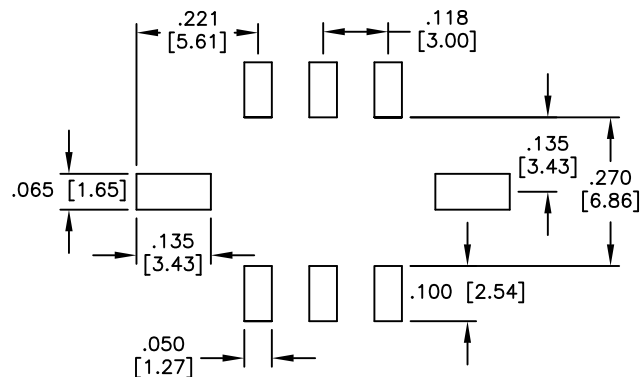
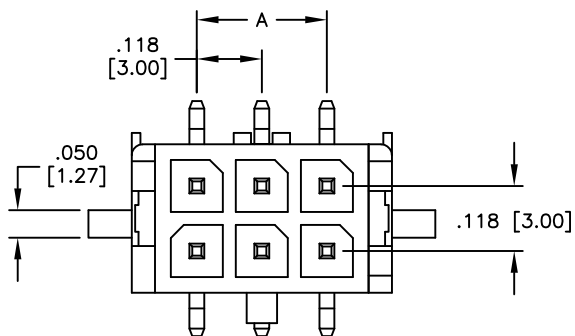
2

1

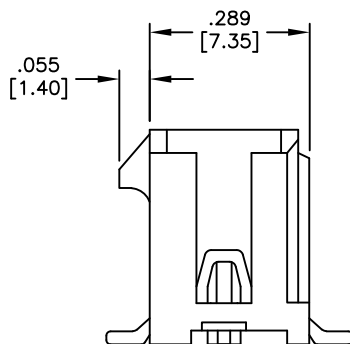
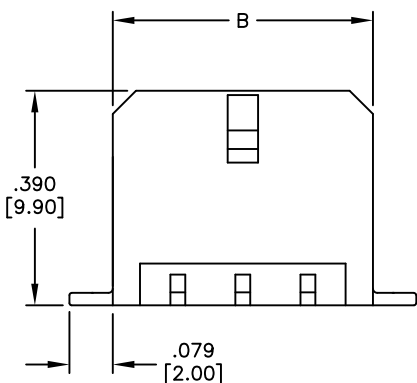
APPROVED: _____

DATE: _____ TITLE: _____

Rev	AWO #	Description	Date	Appr
-		RELEASED	8/13/15	



RECOMMENDED PCB LAYOUT



POSITIONS	Dimension	
	A	B
2	N/A	.262 [6.65]
4	.118 [3.00]	.380 [9.65]
6	.236 [6.00]	.498 [12.65]
8	.354 [9.00]	.616 [15.65]
10	.472 [12.00]	.734 [18.65]
12	.591 [15.00]	.852 [21.65]
14	.709 [18.00]	.970 [24.65]
16	.827 [21.00]	1.088 [27.65]
18	.945 [24.00]	1.206 [30.65]
20	1.063 [27.00]	1.325 [33.65]
22	1.181 [30.00]	1.443 [36.65]
24	1.299 [33.00]	1.561 [39.65]

SPECIFICATIONS:

Material:
Insulator: Hi-temp thermoplastic, rated UL 94V-0
Insulator color: Black

Contacts: Brass
Plating:
Tin over Copper underplate overall

Electrical:
Operating voltage: 250V AC, DC
Current rating: 5A AC, DC
Contact resistance: 10 mohms max
Insulation resistance: 1000 mohms min
Dielectric withstanding voltage: 1500 VAC for 1 minute

Temperature range: -25°C to +105°C

Environmental:

Lead free, RoHS compliant.



PACKAGED ON TAPE & REEL

UNLESS OTHERWISE SPECIFIED ALL DIMENSIONS ARE INCHES [MM] TOLERANCES: EXCEPT AS NOTED INCHES HOLES		ADAM TECH 909 Rahway Avenue, Union, NJ 07083 Phone: 908-687-5000 Fax: 908-687-5710	
.X ± .10	∅X ± .10		
.XX ± .020	∅XX ± .015	TITLE: .118 [3.00] DUAL ROW HEADER VERTICAL TIN PLATED, TRUE SMT TYPE	
.XXX ± .015	∅XXX ± .010	SIZE X PART NO. DML-XX-A-V-T-TSMT-T/R REV. -	
APPROVALS		DATE	
DRAWN AY		8/13/15	
CHECKED YC		8/13/15	
APPROVED		REF: S00015T SCALE: NTS SHEET 1 OF 1	

6

5

4

3

2

1